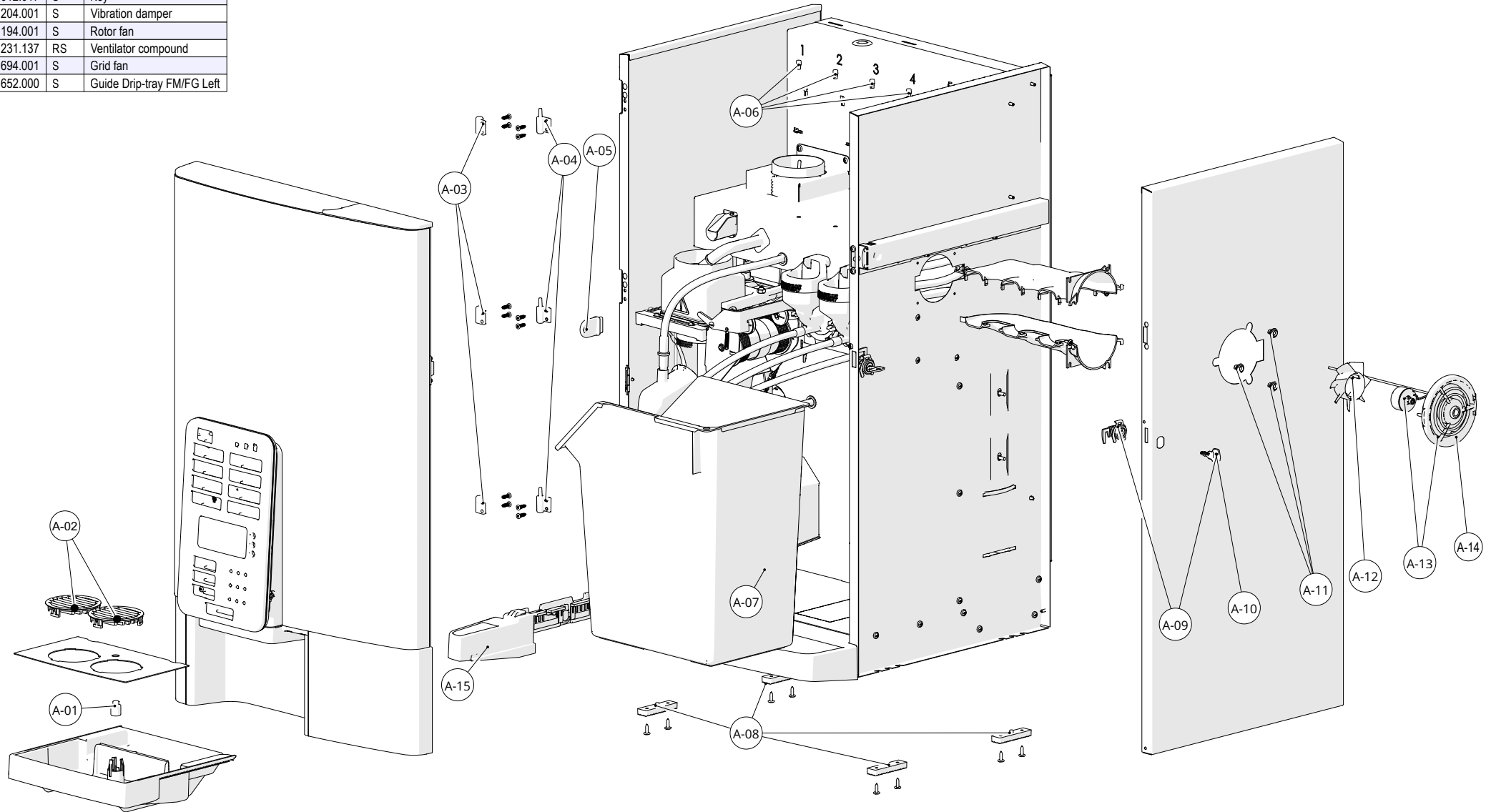
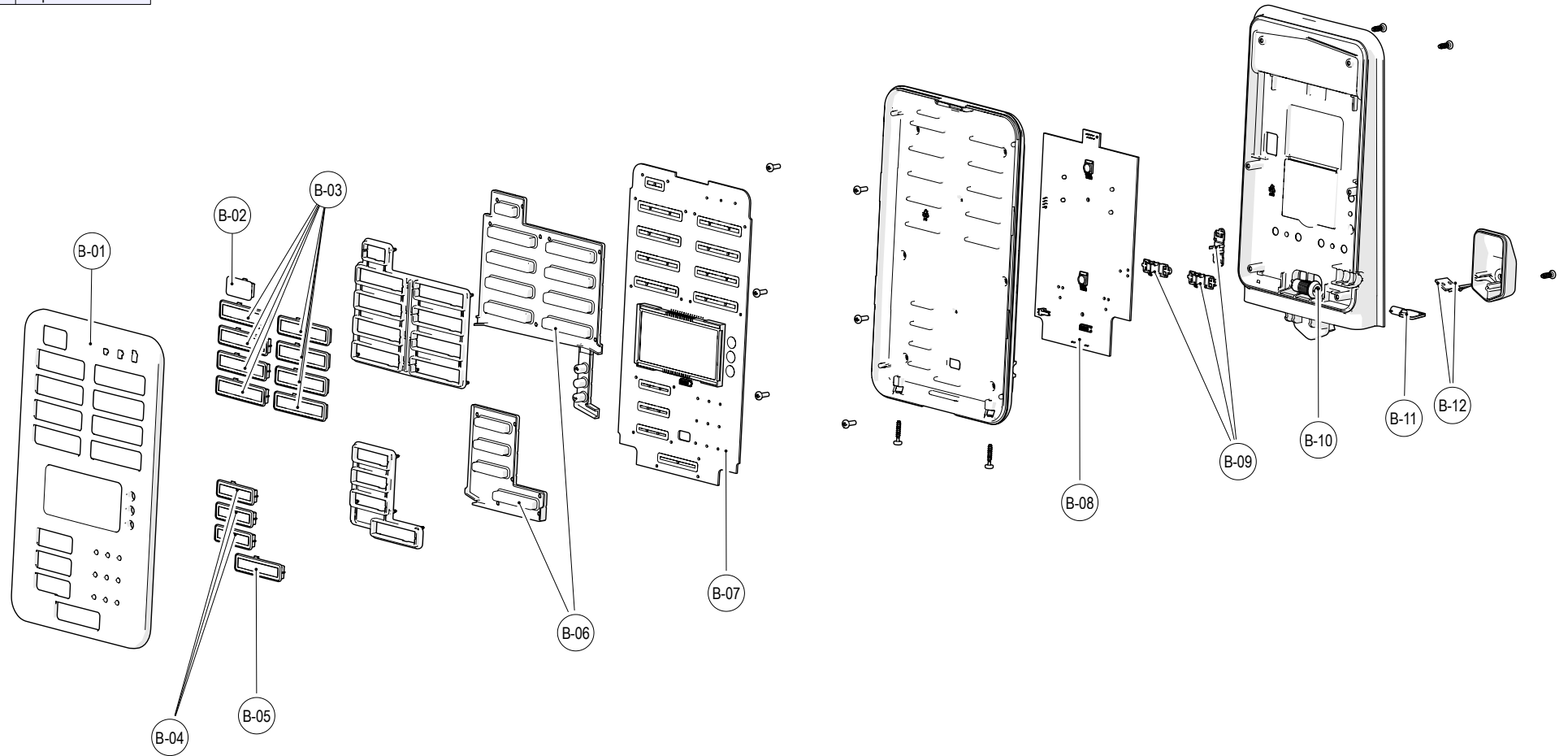


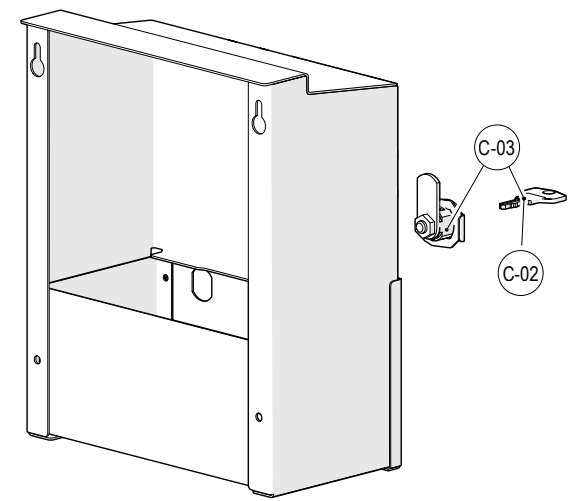
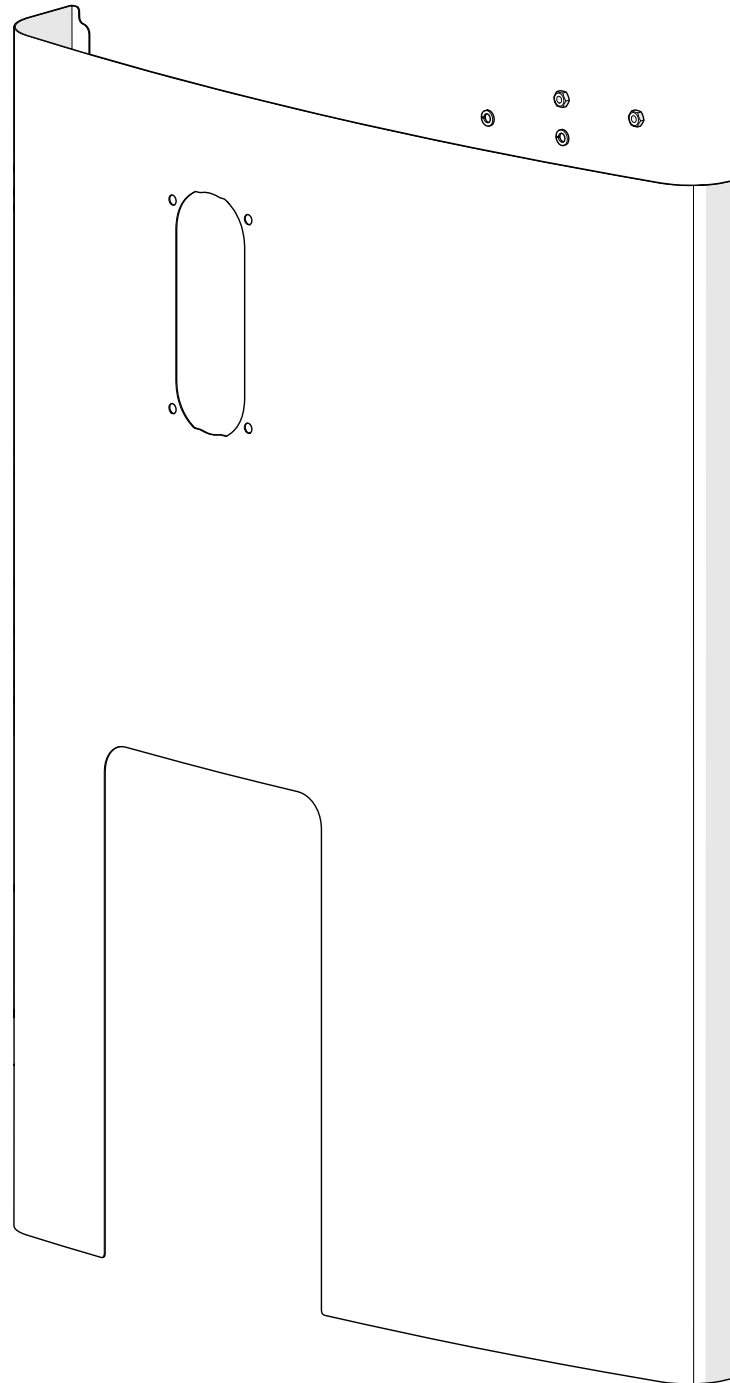
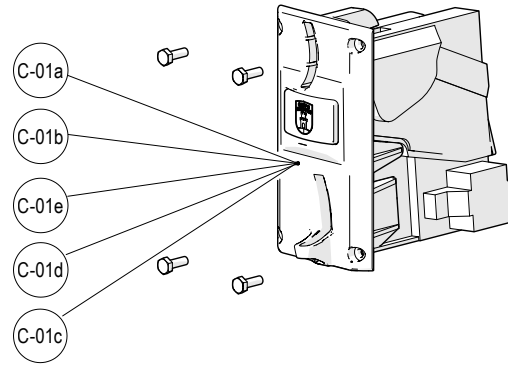
ID	Service parts	S/RS	Description
A-01	6.229.116.001	S	Float drip-tray
A-02	6.231.600.001	S	Grid for drip-tray
A-03	6.231.573.001	S	Hinge pin (upper part)
A-04	6.231.574.001	S	Hinge pin (lower part)
A-05	6.231.044.001	S	Service key
A-06	6.229.495.001	S	Plastic pin
A-07	6.231.186.001	S	Litterbin XL
A-08	6.329.060.001	S	Foot
A-09	6.014.004.052	S	Lock incl. key/spring
A-10	6.014.012.017	S	Key
A-11	6.231.204.001	S	Vibration damper
A-12	6.231.194.001	S	Rotor fan
A-13	6.000.231.137	RS	Ventilator compound
A-14	6.231.694.001	S	Grid fan
A-15	6.231.652.000	S	Guide Drip-tray FM/FG Left



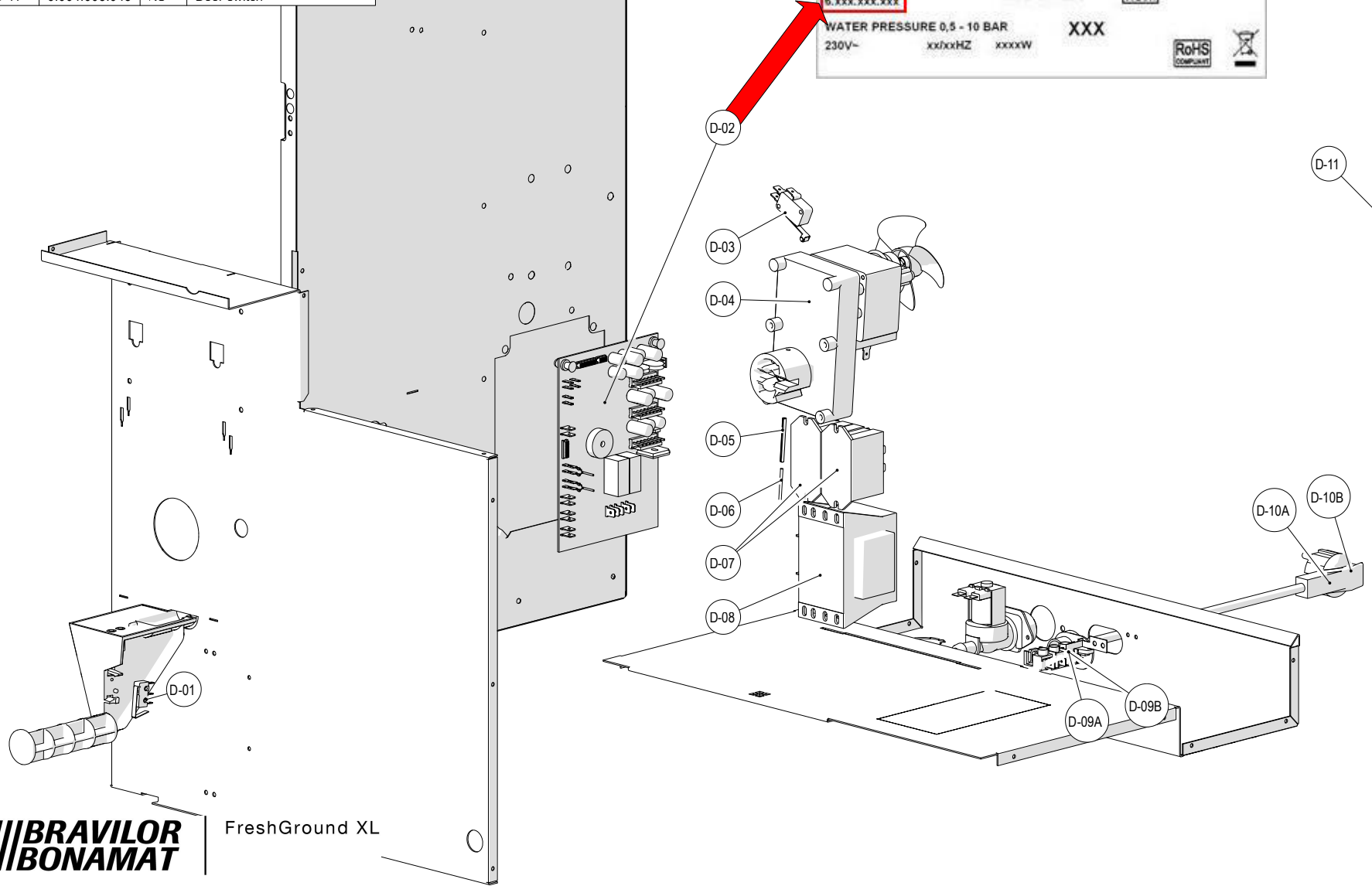
ID	Service parts	S/RS	Description
B-01	6.231.589.000	S	Service panel
B-02	6.231.593.001	S	Push button
B-03	6.231.594.000	S	Push button
B-04	6.231.595.000	S	Push button
B-05	6.231.596.000	S	Push button
B-06	6.231.623.001	S	Keys (assy)
B-07	6.329.301.000	RS	Keyboard (buttons)
B-08	6.329.302.000	RS	Keyboard (main-)
B-09	6.214.105.001	RS	Switch (impulse)
B-10	6.000.231.039	S	Key switch
B-11	6.004.017.014	S	Key
B-12	6.329.308.000	S	Cup illumination



ID	Service parts	S/RS	Description
C-01a	6.016.009.039	S	Coin mechanism Euro/GB
C-01b	6.016.009.040	S	Coin mechanism Euro/S
C-01c	6.016.009.041	S	Coin mechanism Euro/N
C-01d	6.016.009.042	S	Coin mechanism Euro/DK
C-01e	Obsolete	-	-
C-02	6.014.012.019	S	Key
C-03	6.014.004.050	S	Lock incl. keys/spring

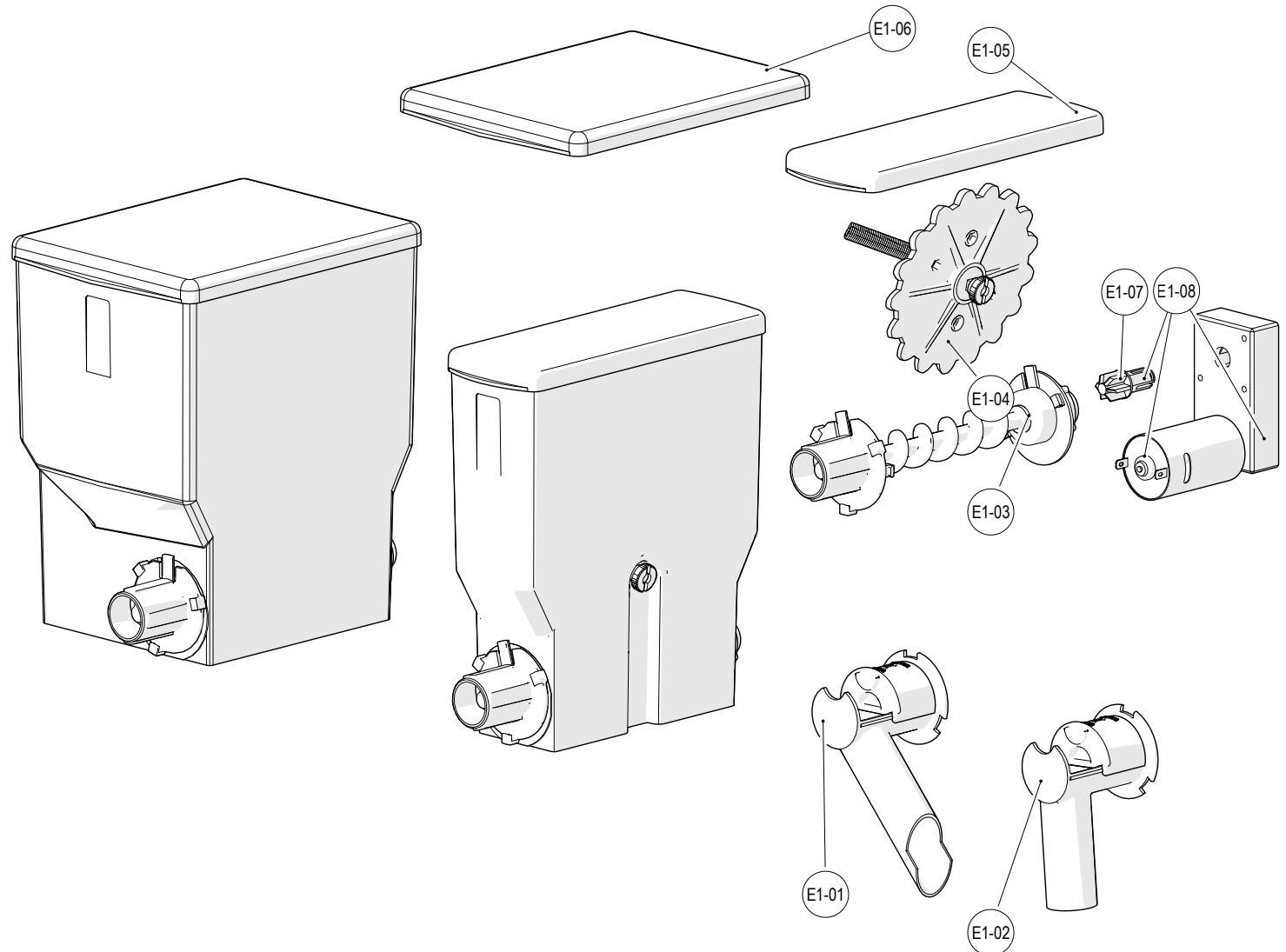


ID	Service parts	S/RS	Description
D-01	6.004.003.203	S	Micro switch
D-02	6.xxx.xxx.xxx	RS	Mainboard + software
D-03	6.004.003.044	RS	Micro switch 250V/15A
D-04	6.000.231.070	RS	Brewer motor (assy)
D-05	6.001.061.002	RS	Spring pin
D-06	6.001.061.008	RS	Locking pin
D-07	6.004.002.089	RS	Relay
D-08	6.004.011.082	RS	Trafo 240V 20V/48VA
D-09A	6.006.001.101	S	Cord inlet with pull relief (EU)
D-09B	6.006.001.109	S	Cord inlet with pull relief (GB)
D-10A	6.003.012.060	S	Connection cord (EU)
D-10B	6.003.012.118	S	Connection cord (GB)
D-11	6.004.003.043	RS	Door switch



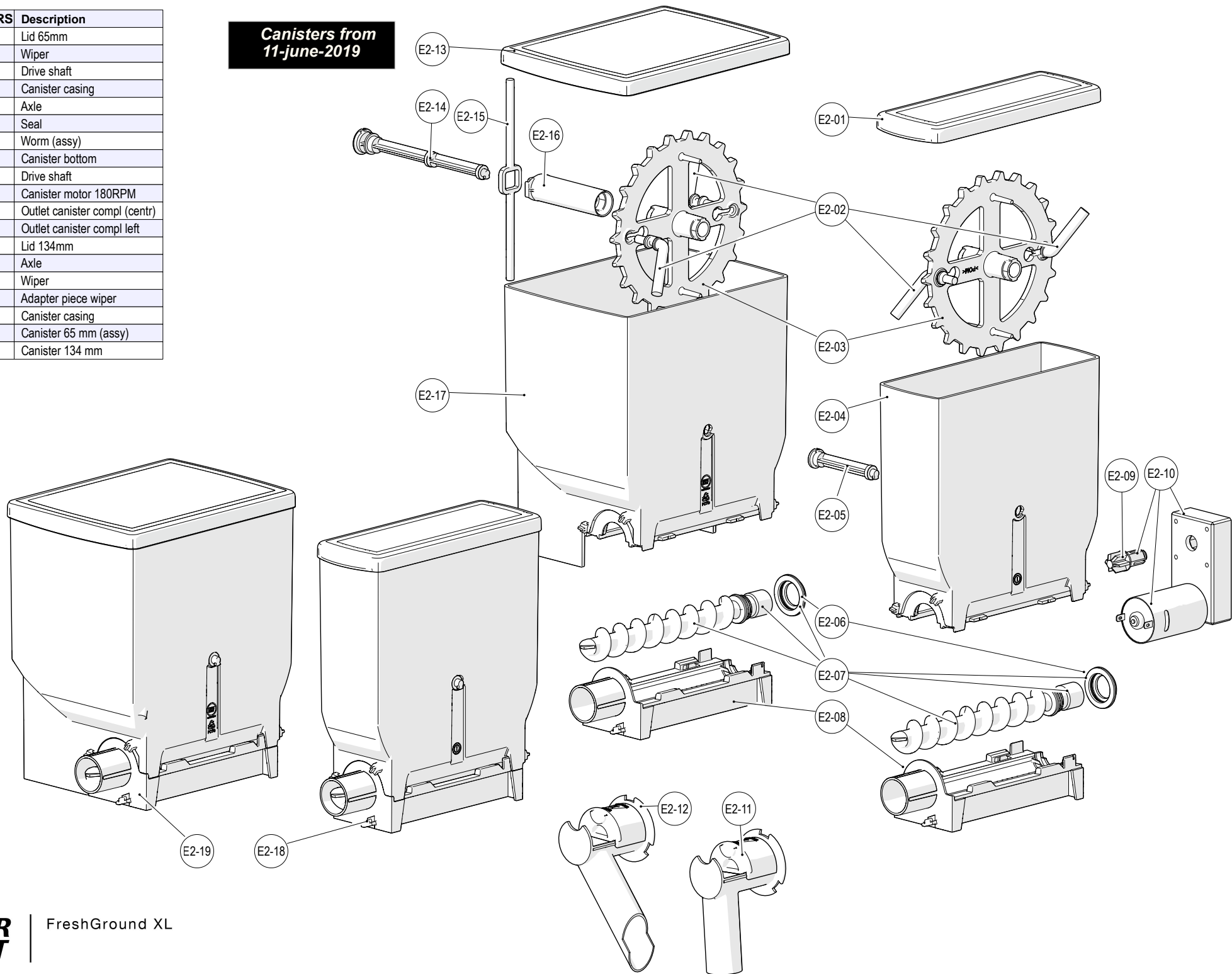
ID	Service parts	S/RS	Description
E1-01	6.229.932.000	S	Outlet canister compl left
E1-02	6.229.931.000	S	Outlet canister compl (centr)
E1-03	6.000.229.122	S	Set of canister spare parts
E1-04	6.000.229.102	S	Drive shaft assy
E1-05	6.229.273.001	S	Lid 65mm
E1-06	6.229.274.001	S	Lid 134mm
E1-07	6.030.074.005	S	Drive shaft
E1-08	6.030.070.017	RS	Canister motor 180RPM

**Canisters till  
11-june-2019**

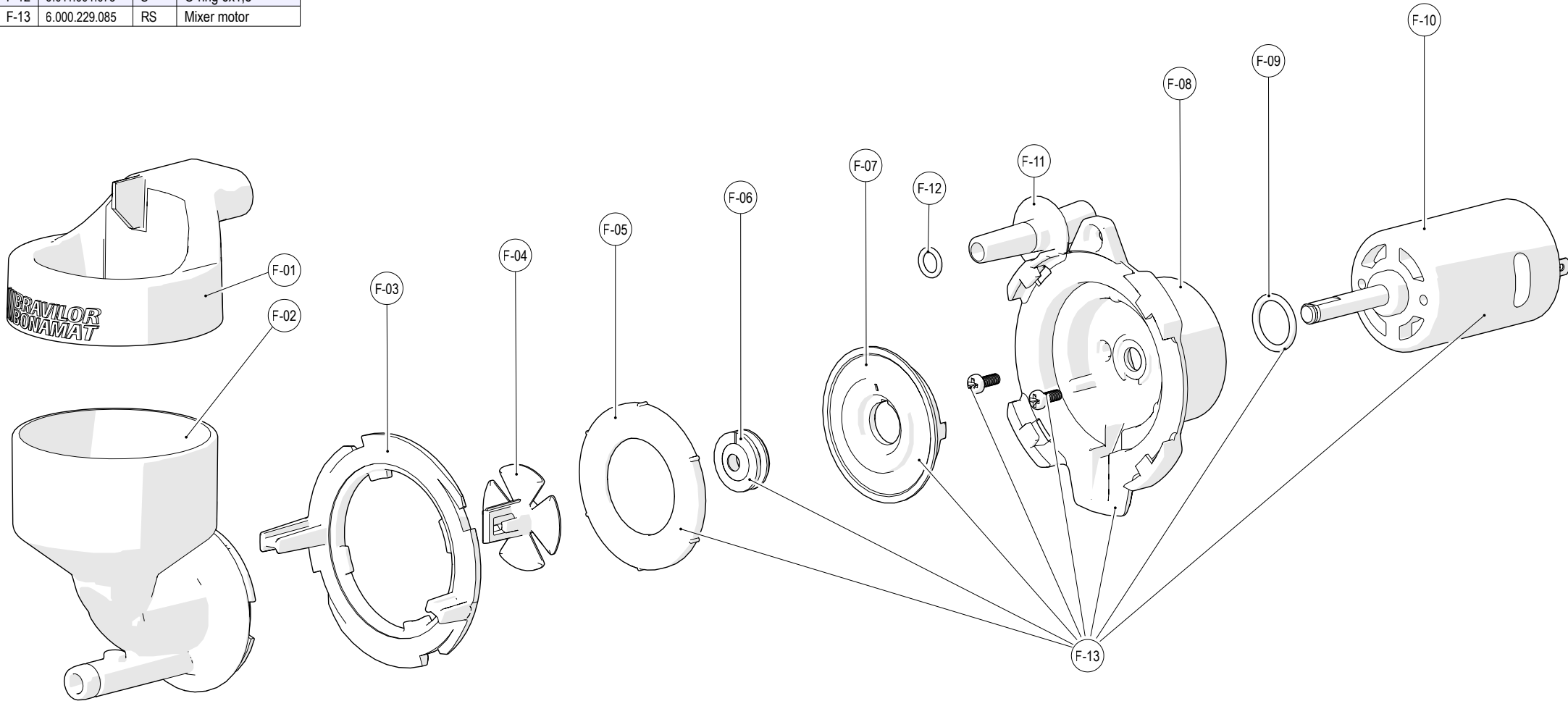


ID	Service parts	S-RS	Description
E2-01	6.329.480.000	S	Lid 65mm
E2-02	6.329.478.001	S	Wiper
E2-03	6.329.477.001	S	Drive shaft
E2-04	6.329.476.001	S	Canister casing
E2-05	6.329.486.001	S	Axle
E2-06	6.329.479.001	S	Seal
E2-07	6.000.229.219	S	Worm (assy)
E2-08	6.329.474.001	S	Canister bottom
E2-09	6.030.074.005	S	Drive shaft
E2-10	6.030.070.017	RS	Canister motor 180RPM
E2-11	6.229.931.000	S	Outlet canister compl (centr)
E2-12	6.229.932.000	S	Outlet canister compl left
E2-13	6.229.274.001	S	Lid 134mm
E2-14	6.329.502.001	S	Axle
E2-15	6.329.503.001	S	Wiper
E2-16	6.329.543.001	S	Adapter piece wiper
E2-17	6.329.500.001	S	Canister casing
E2-18	6.000.229.183	S	Canister 65 mm (assy)
E2-19	6.000.229.197	S	Canister 134 mm

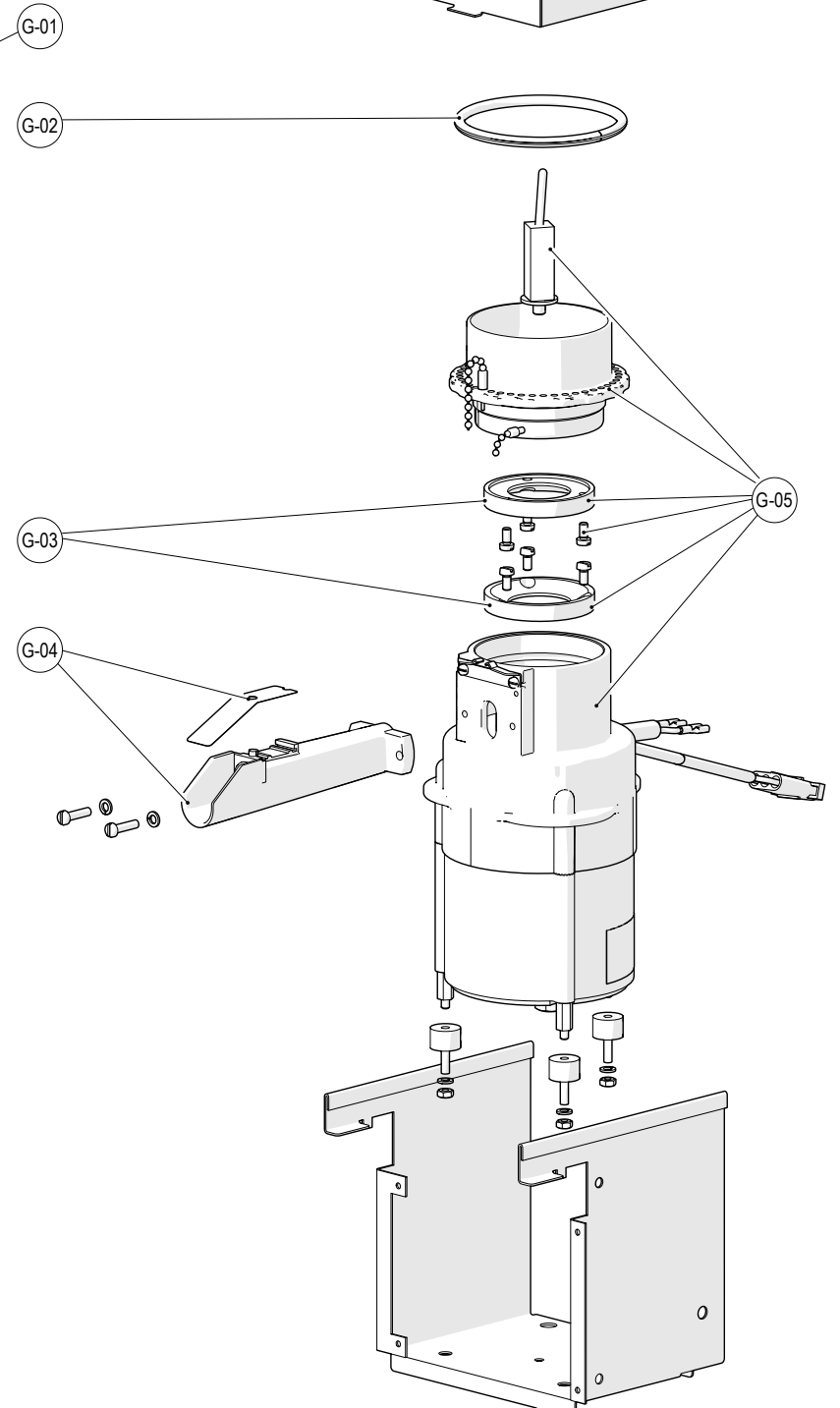
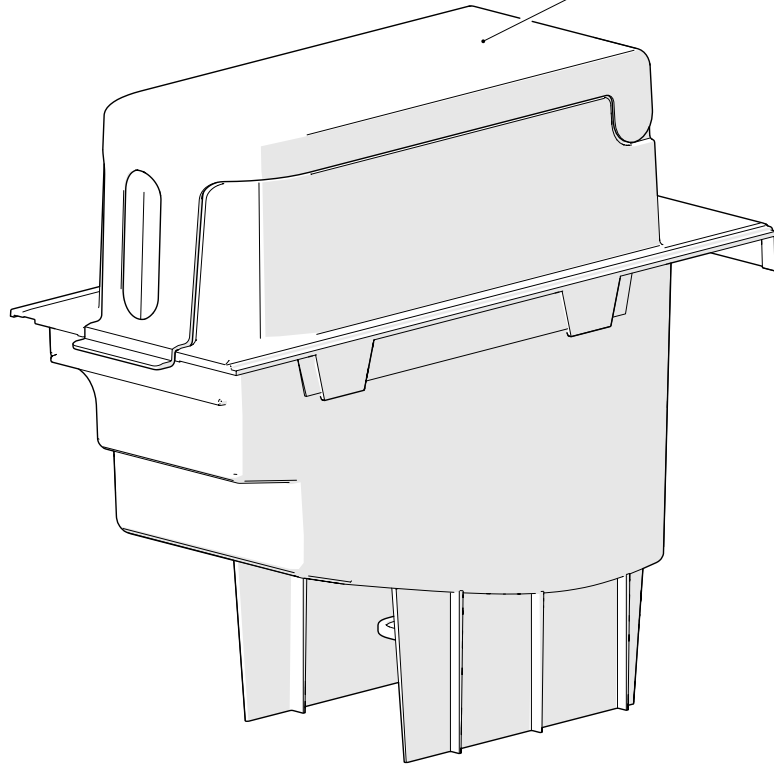
**Canisters from  
11-june-2019**



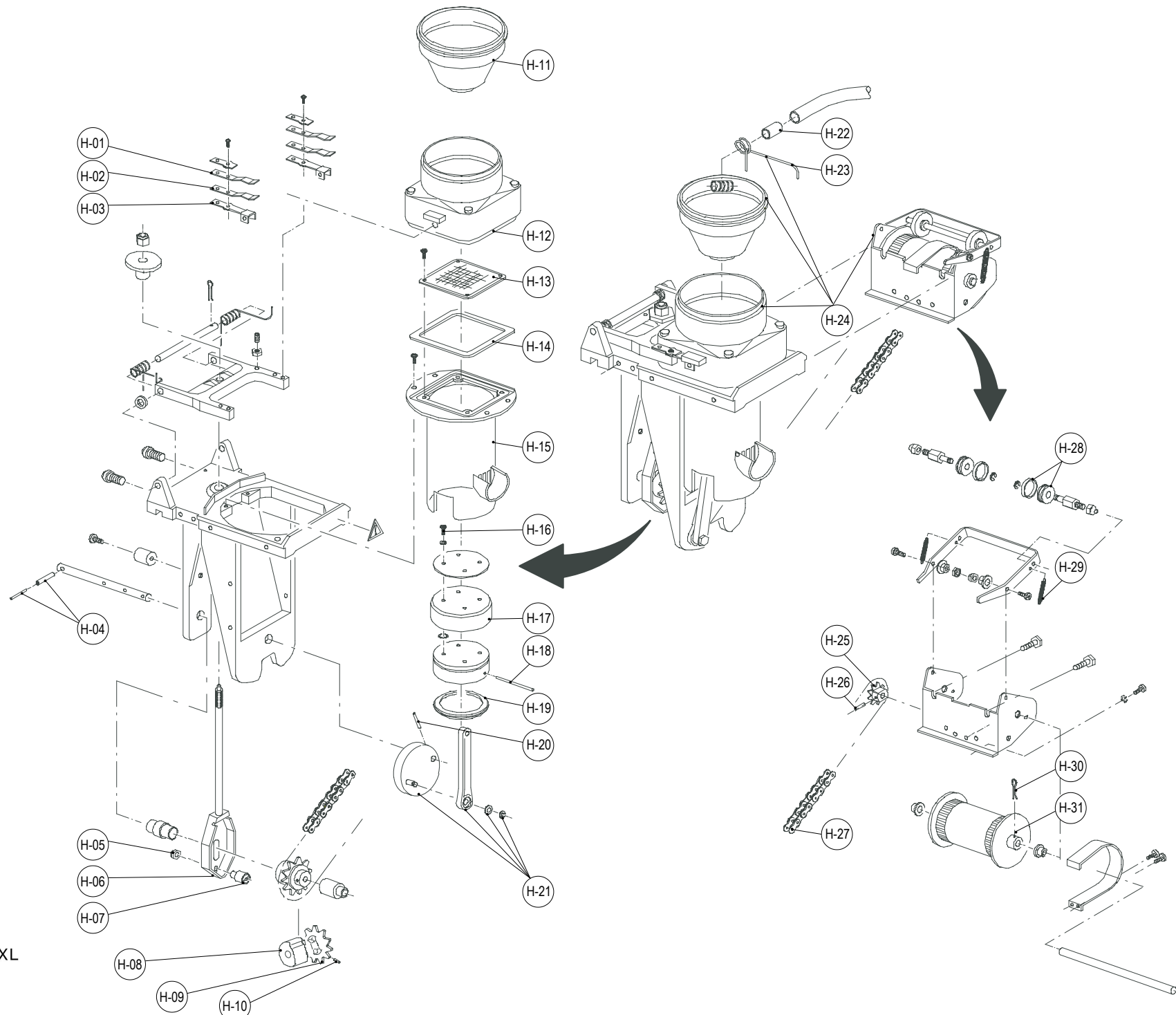
ID	Service parts	S/RS	Description
F-01	6.229.808.001	S	Condense reservoir
F-02	6.229.805.001	S	Mixing chamber
F-03	6.229.809.001	S	Fastening ring
F-04	6.229.803.001	S	Whipper disk
F-05	6.229.806.001	S	Rubber seal mixer
F-06	6.030.071.020	S	Rubber seal mixer
F-07	6.229.807.001	S	Holder rubber seal
F-08	6.229.810.001	S	Plate mixer moter
F-09	6.011.001.094	S	O-ring 13x2
F-10	6.030.070.022	RS	Mixer motor
F-11	6.229.580.001	S	Water inlet 6mm
F-12	6.011.001.073	S	O-ring 6x1,5
F-13	6.000.229.085	RS	Mixer motor



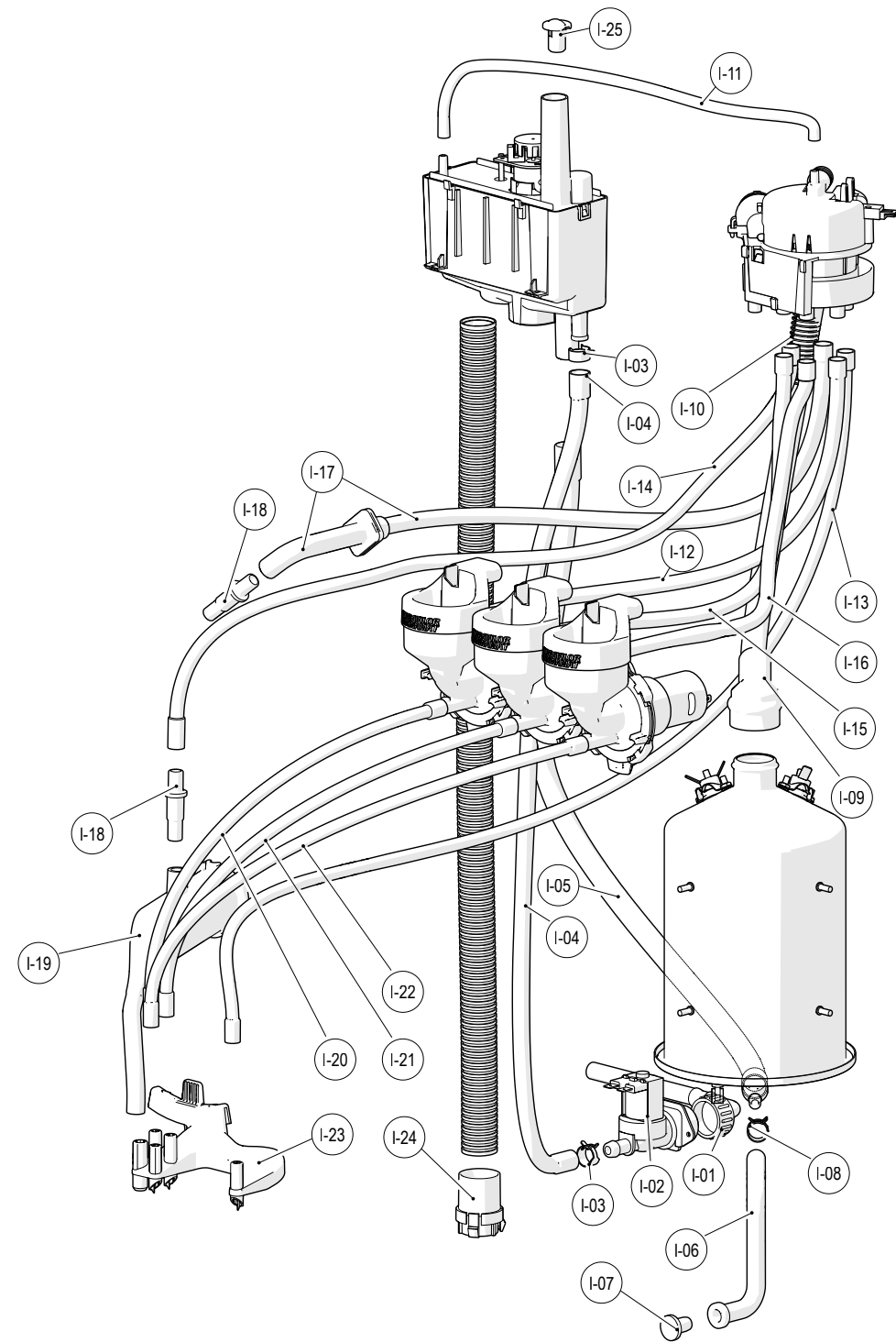
ID	Service parts	S/RS	Description
G-01	6.000.231.087	S	Bean canister
G-02	6.231.393.001	S	Vibration damper
G-03	6.030.079.103	S	Set grind discs
G-04	6.231.429.000	S	Outlet grinder
G-05	6.030.079.002	RS	Grinder



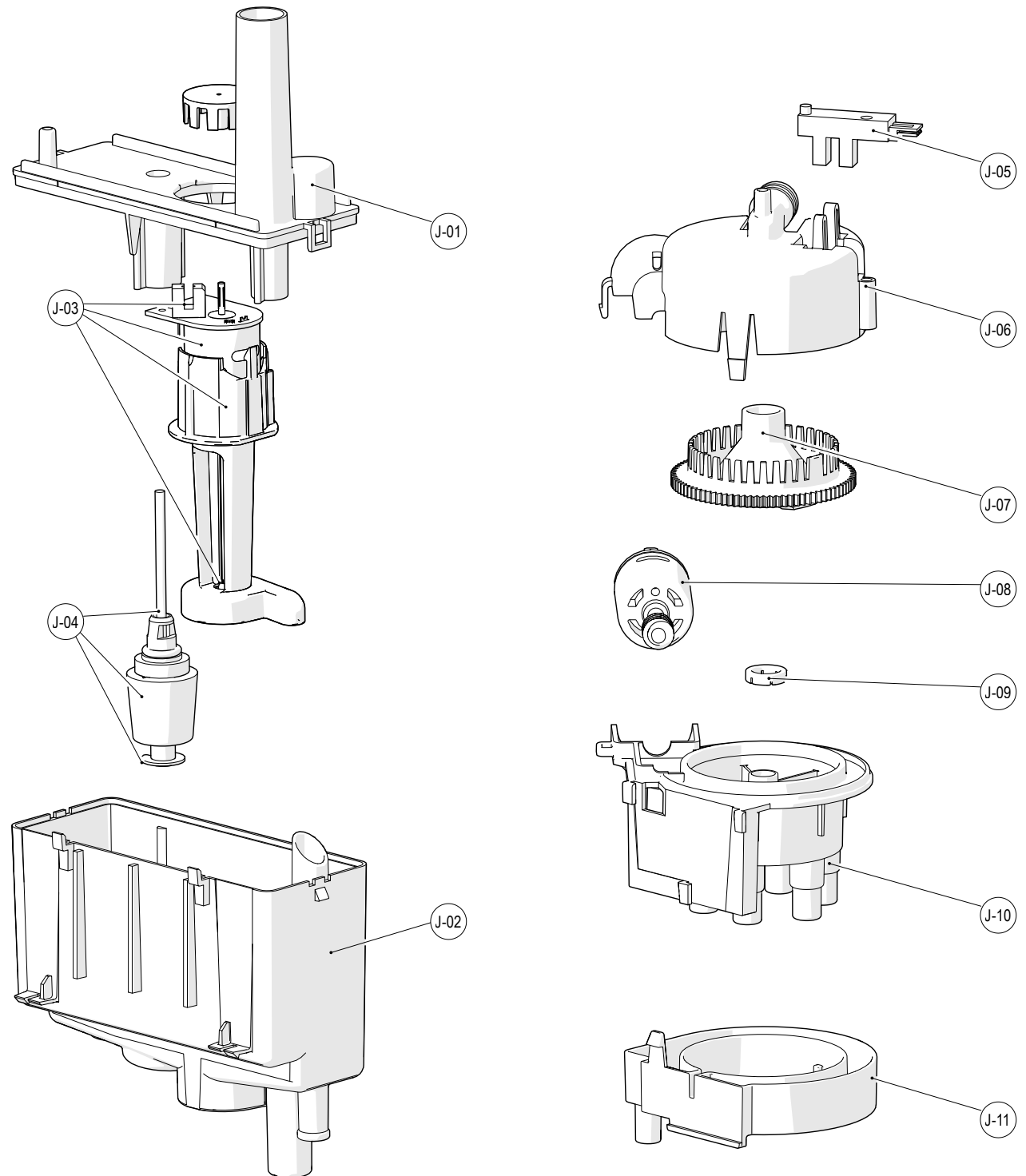
ID	Service parts	S-RS	Description
H-01	6.030.061.132	RS	Springpin
H-02	6.030.061.130	S	Spring brewerchamber
H-03	6.030.061.131	RS	Pressure spring
H-04	6.030.061.125	S	Split pin
H-05	6.030.061.113	RS	Nut
H-06	6.030.061.112	RS	Pull rod
H-07	6.030.061.111	RS	Cam follower
H-08	6.030.061.122	S	Drive cam
H-09	6.030.061.123	S	Chain wheel
H-10	6.030.061.110	RS	Spring pin
H-11	6.030.061.128	S	Funnel
H-12	6.030.061.133	RS	Brew chamber
H-13	6.030.061.102	RS	Filter screen
H-14	6.030.061.103	RS	Seal rubber
H-15	6.030.061.104	RS	Cylinder
H-16	6.030.061.105	RS	Screw
H-17	6.030.061.106	RS	Seal
H-18	6.030.061.107	RS	Spring pin
H-19	6.030.061.121	RS	Rubber ring
H-22	6.030.061.108	RS	Spring pin
H-21	6.030.061.109	RS	Crank-driving rod
H-22	6.236.257.001	S	Outlet
H-23	6.030.061.124	S	Spring
H-24	6.030.075.001	S	Brewer
H-25	6.030.061.126	S	Chain wheel
H-26	6.030.061.127	S	Split pin
H-27	6.030.061.129	S	Chain
H-28	6.030.061.116	RS	Plastic wheel Brewer
H-29	6.030.061.117	RS	Spring
H-30	6.030.061.118	RS	Split pin
H-31	6.030.061.119	RS	Tape drum



ID	Service parts	S/RS	Description	mm
I-01	6.000.205.111	S	Connection tube	
I-02	6.016.001.070	RS	Magnetic valve 2l/min 24V	
I-03	6.001.079.003	S	Tube clamp 15,6 mm	
I-04	6.019.033.014	S	Silicone tube 9,5 x 3,0	630
I-05	6.019.033.013	S	Silicone tube 11,5 x 3,0	550
I-06	6.263.081.001	S	Tube boiler drain	
I-07	6.006.002.018	S	Tightening plug 10,5 mm	
I-08	6.001.079.001	S	Tube clamp 12,1 mm	
I-09	6.229.774.001	S	Tube	
I-10	6.014.017.007	S	Spring	
I-11	6.019.033.009	S	Silicone tube 7 x 4	400
I-12	6.019.033.004	S	Silicone tube 7,5 x 2	370
I-13	6.019.033.004	S	Silicone tube 7,5 x 2	770
I-14	6.019.033.004	S	Silicone tube 7,5 x 2	600
I-15	6.019.033.004	S	Silicone tube 7,5 x 2	310
I-16	6.019.033.004	S	Silicone tube 7,5 x 2	310
I-17	6.231.660.001	S	Tube	390
I-18	6.231.672.001	S	Tube section	
I-19	6.231.183.001	S	Outlet brewer	
I-20	6.019.033.004	S	Silicone tube 7,5 x 2	380
I-21	6.019.033.004	S	Silicone tube 7,5 x 2	425
I-22	6.019.033.004	S	Silicone tube 7,5 x 2	480
I-23	6.231.638.001	S	Bracket	
I-24	6.229.760.001	S	Nipple	
I-25	6.402.010.001	S	Descaling plug	



ID	Service parts	S/RS	Description
J-01	6.229.334.001	S	Lid pumpfloat tank
J-02	6.229.335.001	S	Pumpfloat tank
J-03	6.000.229.198	RS	Motor float tank (assy)
J-04	6.229.546.001	S	Float tank
J-05	6.004.026.001	RS	Light sensor
J-06	6.231.121.001	S	Lid water selector
J-07	6.231.120.001	RS	Water rotation disk
J-08	6.000.231.022	RS	Motor water selector (assy)
J-09	6.229.761.001	S	Water sealing ring
J-10	6.231.119.001	S	Outlets (6) water selector
J-11	6.231.259.001	S	Drip-tray water selector



ID	Service parts	S/R/S	Description
K-01	6.016.008.064	S	High temperature safety switch
K-02	6.016.008.063	S	Spring high temp safety (4PC)
K-03	6.231.229.000	RS	Temperature sensor
K-04	6.000.229.025	RS	Flow boiler 230V/2150W
K-05	6.231.191.001	S	Ring
K-06	6.231.132.001	S	Supply boiler

